

PORKKA

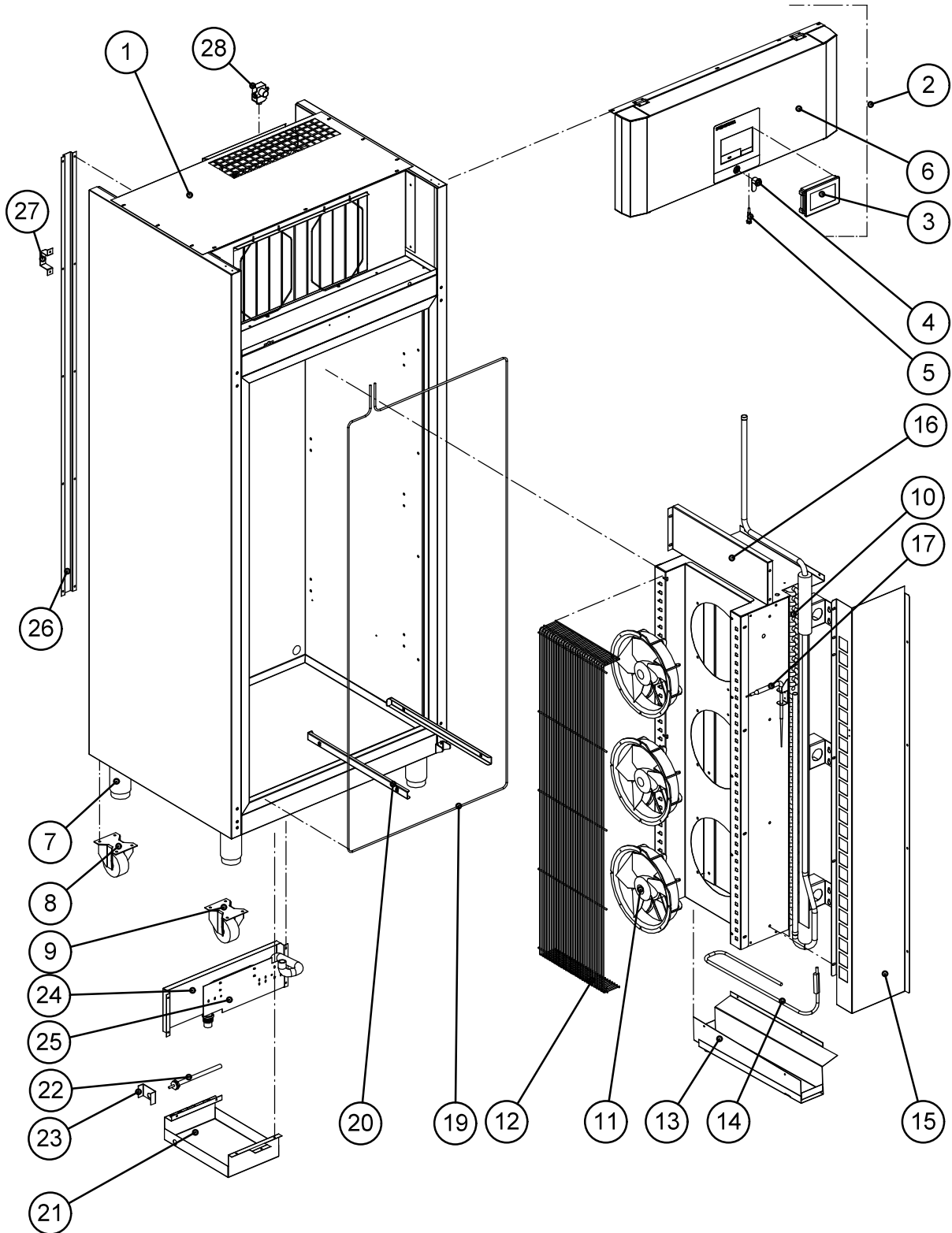
HOTEL, RESTAURANT & CATERING
Cabinets for professional use

Spare parts

Inventus upright refrigerators and freezers

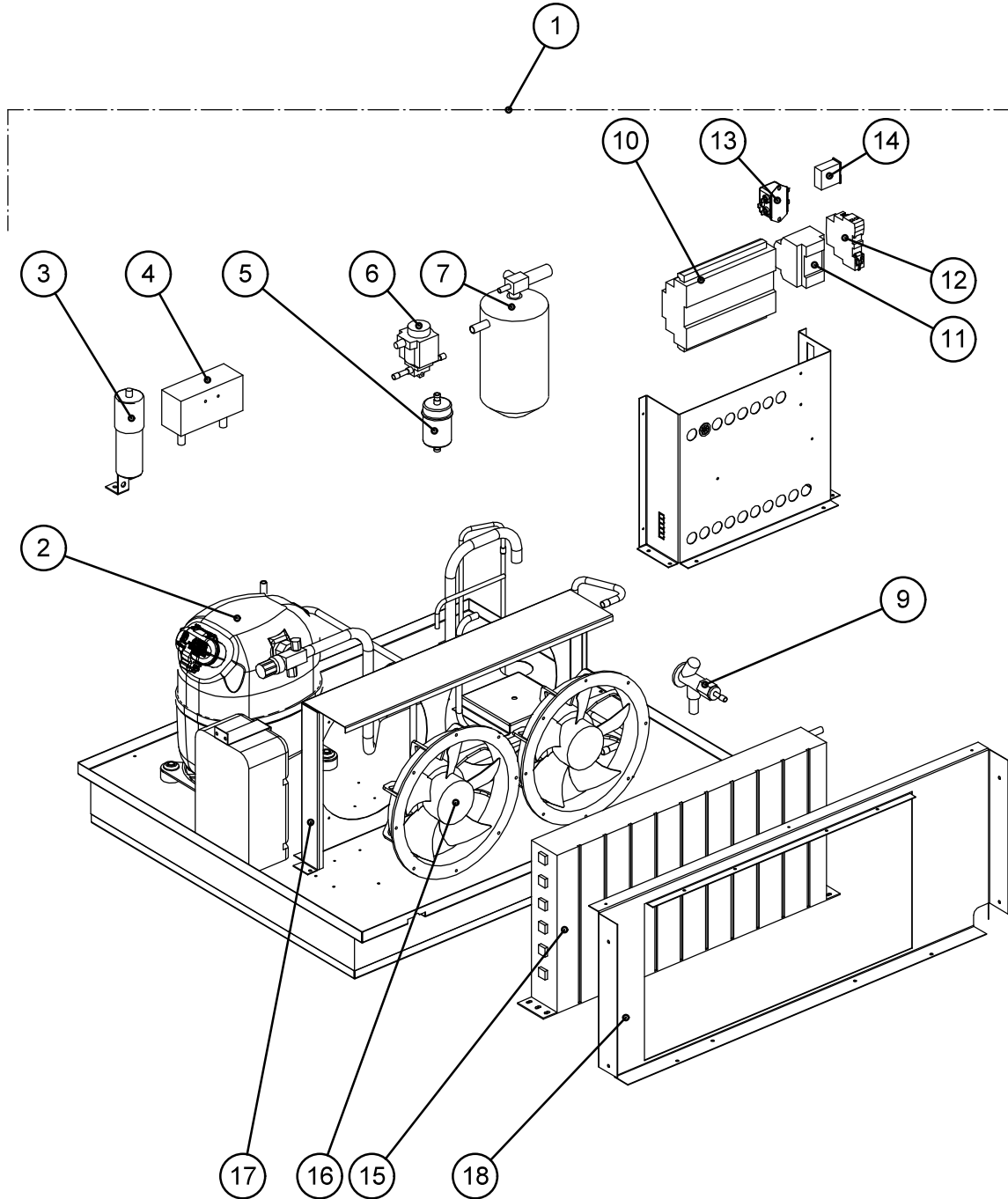


INVENTUS UPRIGHT REFRIGERATORS AND FREEZERS - BC /BF 8 BLAST CHILLER / FREEZER



EF2009_SPARE

INVENTUS UPRIGHT REFRIGERATORS AND FREEZERS - COOLING UNIT BC/BF 8, 7



EF2721_SPARE

PORKKA

HOTEL, RESTAURANT & CATERING
Cabinets for professional use

Porkka Finland Oy is an internationally renowned designer and manufacturer of professional refrigeration solutions. The main areas of activity are HoReCa, medical and research and marine. Porkka is part of the Finnish Festivo-Porkka Group.

The Porkka brand is known for its quality and reliability - the long life cycle of the products, high quality and technical know-how. Porkka's success is based on decades of experience, customer-centric design and continuous product development. The materials used in Porkka products are as recyclable and environmentally friendly as possible. The recyclability of our products is over 95%.



Porkka's solutions are designed and manufactured in accordance with the quality standard ISO 9001: 2015. Porkka's quality system has been certified by Lloyd's Register. Porkka also has an environmental certificate ISO 14001: 2015 issued by LRQA.

We reserve the right to make changes without prior notice.